

# 2 Band Alarm Clock Radio



## 28027 | OPERATING INSTRUCTIONS

### Electrical requirements

Check the voltage on the rating plate of your clock radio corresponds with your house electricity supply which must be A.C. (Alternating current).

#### For clock radios with a fitted plug.

If the socket outlets in your home are not suitable for the plug supplied with this appliance the plug should be removed and the appropriate one fitted.

**IMPORTANT : THE PLUG REMOVED FROM THE MAINS LEAD, IF SEVERED, MUST BE DESTROYED AS A PLUG WITH A BARED FLEXIBLE CORD IS HAZARDOUS IF ENGAGED INTO A LIVE SOCKET OUTLET.**

Should the fuse in the 13 amp plug require changing a 3 amp BS1362 fuse must be fitted.

### Battery back-up facility (unit will work without a battery being fitted)

Your alarm clock radio is equipped with a battery back-up facility.

- 1 Remove the battery compartment cover (located underneath the unit) by pushing in the clip and lifting off.
- 2 Insert a battery size 9 volts PP3/6LR61 (Ensure batteries are inserted correctly)
- 3 Replace the battery compartment cover.

Should a power interruption occur the clock will continue to run, however, time keeping will not be accurate. The display will be extinguished to conserve battery life but the memory will retain details of the clock time and alarm settings.

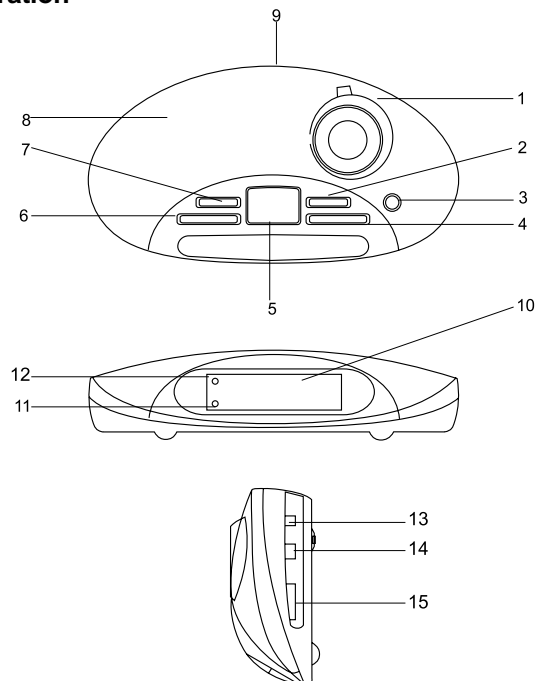
If the optional battery is not installed in case of the AC power failure the display will blink to indicate the power was interrupted. You will need to reset the clock and alarm.

#### Battery back-up is designed to operate for a short period only.

If the unit is not to be used for a prolonged period, remove the battery to avoid battery leakage.

In the interests of environmental safety : dispose of batteries safely.

### Illustration



### Location of controls

- |   |                |    |                          |
|---|----------------|----|--------------------------|
| 1 | Tuning control | 9  | FM wire aerial           |
| 2 | Time button    | 10 | LED clock display        |
| 3 | Alarm button   | 11 | Alarm on indicator       |
| 4 | Sleep button   | 12 | PM indicator             |
| 5 | Snooze button  | 13 | Band selector switch     |
| 6 | Hour button    | 14 | Function selector switch |
| 7 | Minute button  | 15 | Volume control           |
| 8 | Speaker        |    |                          |

P.2

### Switching on, and setting the clock time

**Before any alarm functions can be used on your alarm clock radio you must first set the clock to the correct time.**

- 1 Place the unit on a flat surface. Plug the mains plug into the wall socket and switch on the wall socket.
- 2 The clock LED display (10) will flash.
- 3 Press and hold the TIME button (2) and simultaneously hold down the hour button (6) or the minute button (7). The LED clock display (10) will flash forward the minutes and hour segments. Release all buttons when the correct time is set.
- 4 The PM indicator (12) will illuminate to indicate 12.00 midday has been reached.

### Radio operation

#### FM wire aerial

To obtain the maximum FM reception fully extend the wire FM aerial (9) (which is located at the rear of the unit) and alter the direction of the wire for best results.

The aerial for the MW waveband is located inside the unit. To obtain the maximum MW reception rotate the clock radio.

- 1 Slide the FUNCTION SELECTOR switch (14) to the 'ON' position.
- 2 Adjust the VOLUME control (15) to a suitable level.
- 3 Set the BAND SELECTOR switch (13) to either MW or FM as desired.
- 4 Slowly adjust the TUNING control (1) to select your desired station.
- 5 To switch off the radio, slide the FUNCTION SELECTOR switch (14) to the 'OFF' position.

## Alarm operation

- 1 Press and hold the ALARM button (3) and simultaneously press the HOUR (6) or MINUTE button (7) to set the display to the desired alarm time. Release the ALARM button (3) to set the alarm time.
- 2 Set the FUNCTION SELECTOR switch (14) to the desired buzzer or radio 'AUTO' alarm position. The ALARM ON indicator (11) will appear on the LED display (10).

## Wake up to the radio alarm

- 1 Switch the FUNCTION SELECTOR switch (14) to the 'ON' position to tune to the desired station.
- 2 Set the BAND SELECTOR switch (13) to select either FM or MW wavebands as desired.
- 3 Adjust the VOLUME control (15) to a suitable level.
- 4 Slowly adjust the TUNING control (1) to the desired station.
- 5 Slide the FUNCTION SELECTOR switch (14) to the 'AUTO' position. The ALARM ON indicator (11) will light. The radio station will wake you up at the set alarm time. The alarm will automatically turn off after a set period.

Ensure the station you select will be transmitting at the preset alarm time.

## Wake up to the alarm buzzer

In order to check that the correct alarm time has been set press the ALARM button (3). The display will indicate the alarm time set.

- 1 Slide the FUNCTION SELECTOR switch (14) to the 'Buzzer' position. The ALARM ON indicator (11) will light.

The buzzer alarm will wake you up at the set alarm time.

The buzzer will automatically turn off after a set period.

P.5

## Maintenance

Do not expose your clock radio to extremes of temperature. The product should be kept in a warm environment free from dust and damp. For external cleaning use only a soft, clean, damp cloth. Use of detergents may damage the finish.

## Technical specification

AC Power supply	:	230v ~ 50Hz
Battery back-up	:	9V DC type 6LR61/PP3 (not included)
Radio	:	FM 88Mhz - 108Mhz
	:	MW 540Khz - 1600Khz

## Warning labels

WARNING: to reduce the risk of electric shock, do not expose this appliance to rain or moisture.



ATTENTION: To reduce the risk of electric shock, do not remove the cover. There are no user serviceable parts inside the unit. Refer any servicing to qualified personnel.



The lightning flash with arrowhead symbol within the triangle is a warning sign alerting the user of 'dangerous voltage' inside the unit.



The exclamation point within the triangle is a warning sign alerting the user of important instructions accompanying the product.

To prevent fire or shock hazard do not expose this apparatus to dripping or splashing.

P.7

## To stop the alarm tone

The alarm is programmed to run for 1 hour 59 minutes.

- 1 To stop the alarm, press the ALARM button (3). The alarm will stop and will operate again 24 hours later.
- 2 To stop the alarm temporarily, press the SNOOZE button (5). The alarm will sound again 9 minutes later.
- 3 To switch the alarm setting off permanently, slide the FUNCTION SELECTOR switch (14) to the 'Off' position.

## Snooze function

The alarm can be interrupted for a 9 minute period.

- 1 Press the SNOOZE button (5), after 9 minutes the radio or alarm buzzer will sound again.

## To set the sleep function

Your clock radio is equipped with a sleep function that will turn the radio on and switch it off automatically after a set period of time from between 59 minutes to 1 minute. Pressing the hour button (6) will extend the sleep time to 1 hour 59 minutes.

- 1 Press the SLEEP button (4) the LED display (10) will show 0:59 sleep time at the same time the radio will come on and stay on for 59 minutes.
- 2 Press and hold the SLEEP button (4) whilst pressing the MINUTE button (7) or HOUR button (6) the sleep time shown on the LED display (10) will start descending.
- 3 Release all buttons when the desired sleep time is shown on the LED display (10).
- 4 After the set sleep time has elapsed, the radio will automatically switch off.
- 5 To switch off before the set sleep time has elapsed press the SNOOZE button (5).

P.6

## Guarantee

Morphy Richards products are manufactured to internationally accepted quality standards. In addition to your statutory rights, Morphy Richards guarantee your product to be free from manufacturing and component defects for a period of TWO YEARS from date of purchase.

If your product proves to be defective within 28 days of purchase, your Morphy Richards dealer from whom the product was purchased will be pleased to replace it free of charge.

Should your product develop a defect within the guarantee period but after the replacement period, please return the product to the following address, together with the proof of purchase, brief details of the symptoms and your own name and address.

Morphy Richards Limited  
Talbot Road  
Mexborough  
South Yorkshire  
S64 8AJ

Your post office will provide a certificate of posting. The product will be repaired and returned to you promptly.

If you need any further advice, please call our Helpline (UK local rate) on: 08450 777700 (Mon-Fri)

[www.morphyrichards.co.uk](http://www.morphyrichards.co.uk)



446/8001/93 Rev 1

Imported by : Morphy Richards Ltd, Talbot Road, Mexborough, S64 8AJ